

DOUGLAS HOWE  
ARCHITECT

516 NINTH STREET  
PACIFIC GROVE, CALIFORNIA  
831 - 647 - 1774



PROJECT:

**Point Pinos Lighthouse Restoration**  
**CITY OF PACIFIC GROVE**

DATE  
JULY 26, 2011

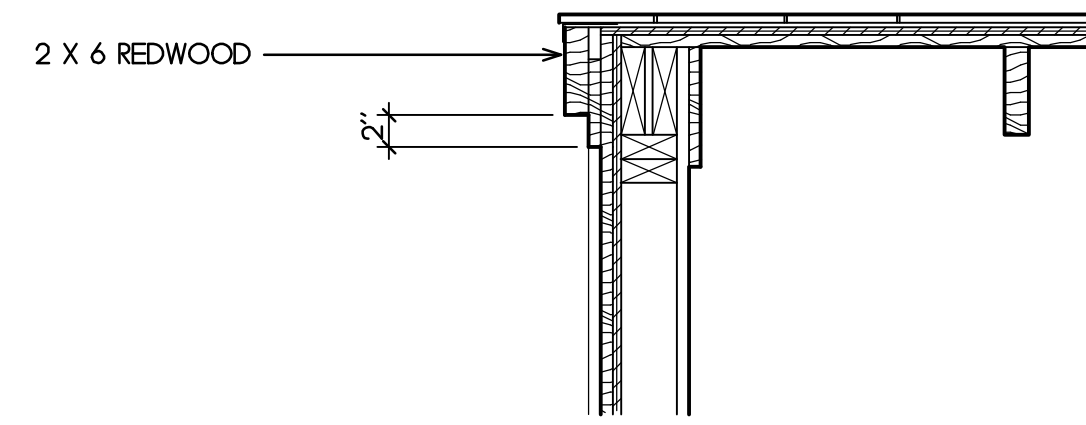
REVISIONS:

DRAWN BY:  
D. HOWE

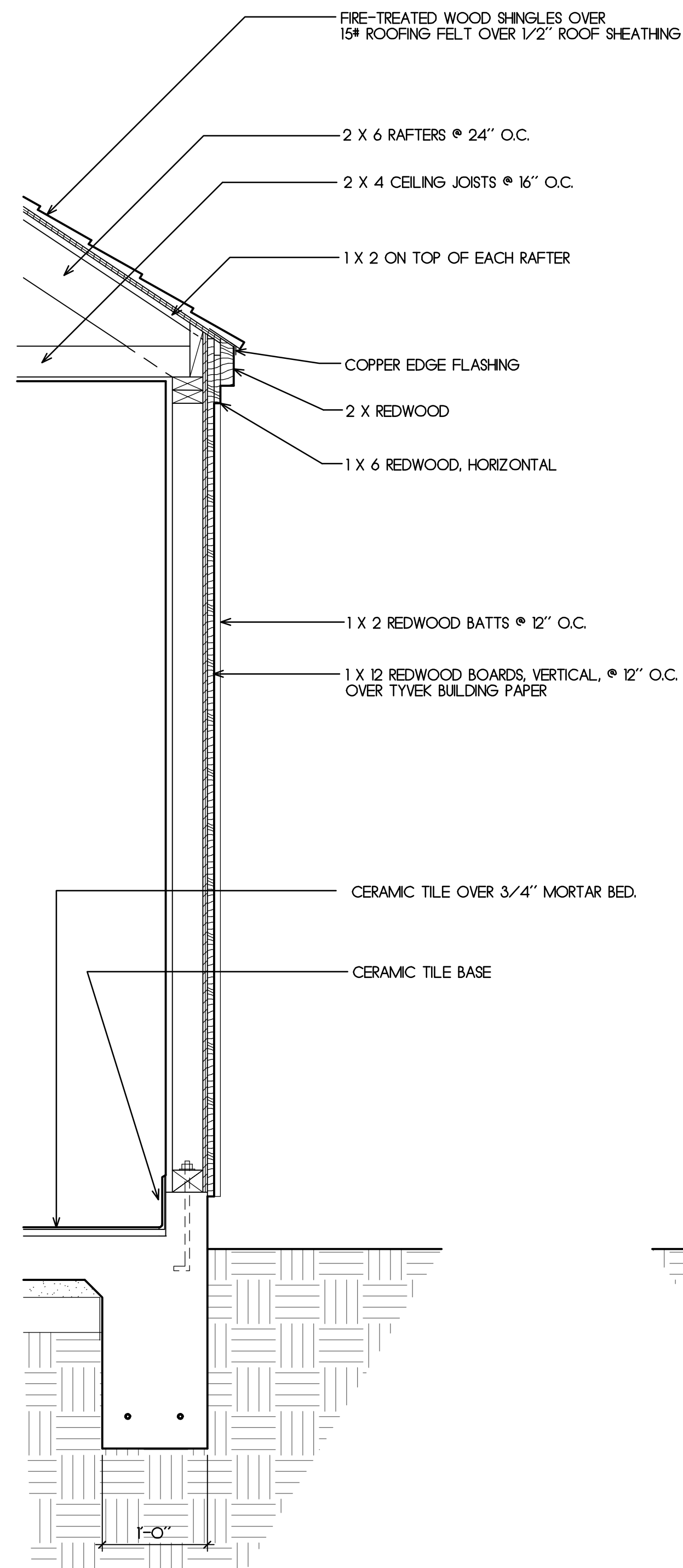
SHEET TITLE:

SHEET

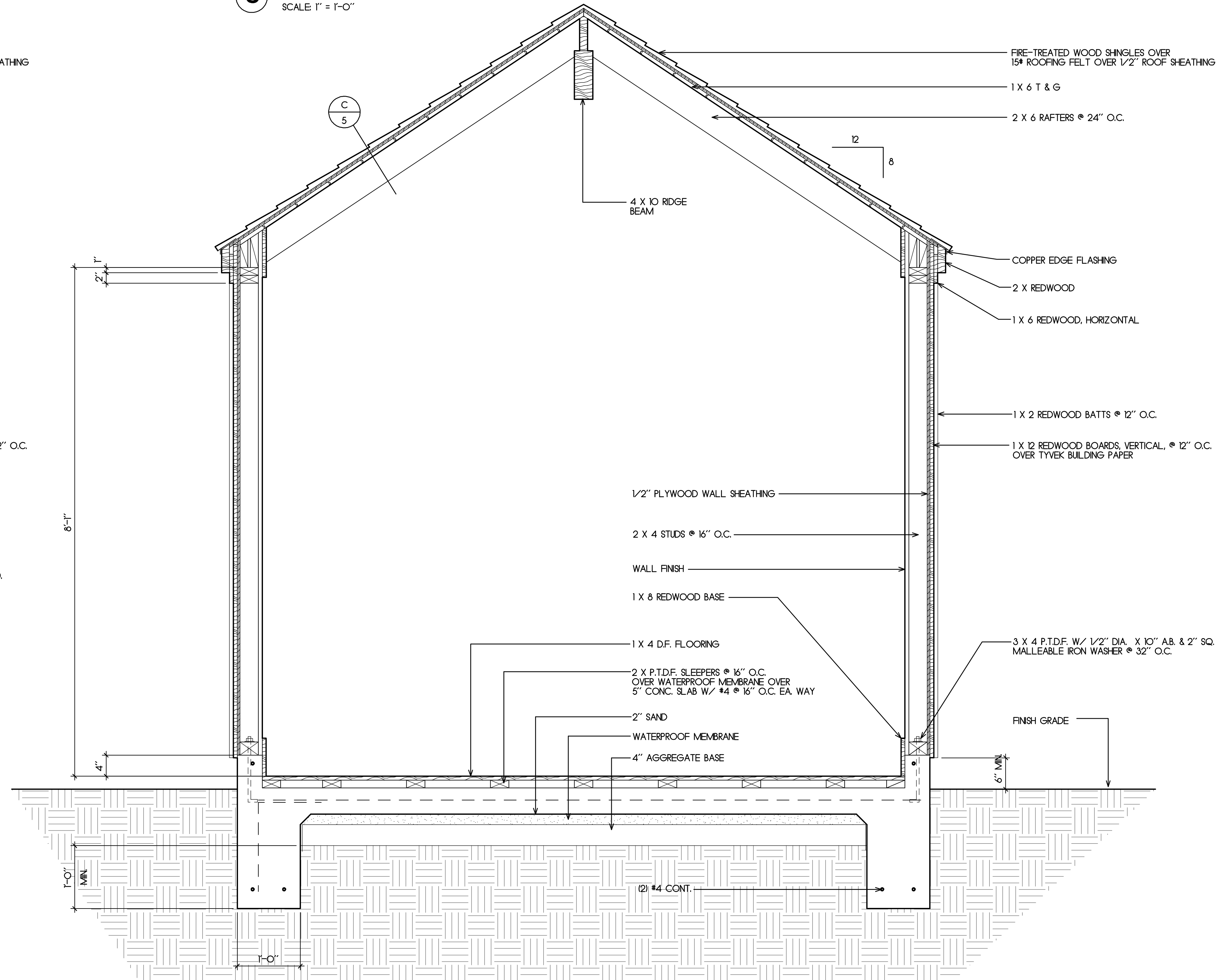
**A4.2**



**C Rake Detail**  
SCALE: 1" = 1'-0"



**B Section**  
SCALE: 1" = 1'-0"



**A Section**  
SCALE: 1" = 1'-0"